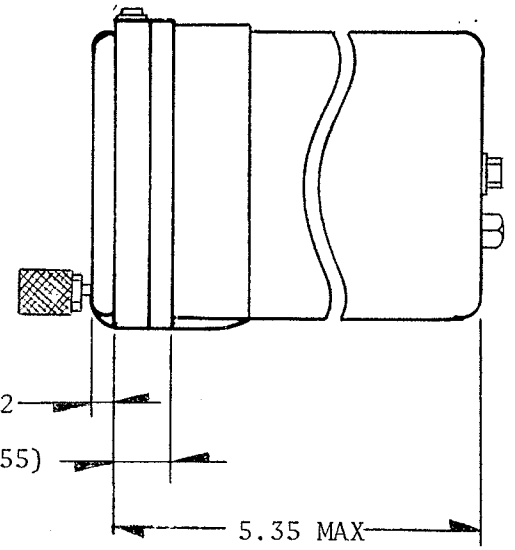
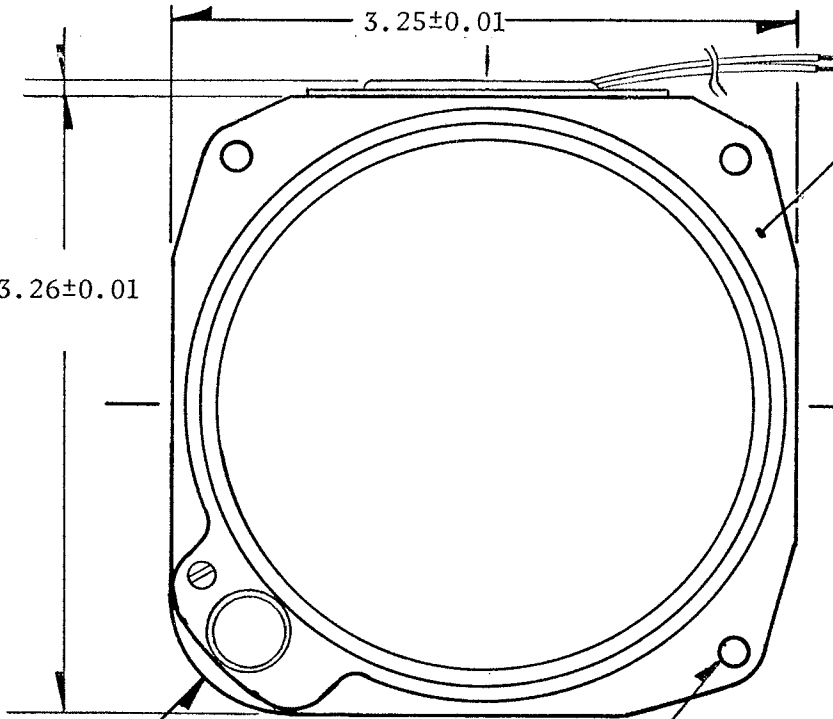


0.11 MAX

3.25±0.01

3.26±0.01

LIGHTING BEZEL ASS'Y AND LIGHT TRAY ASS'Y: SEE NOTES 2 AND 3 ON PAGE 2.



CASE PER MS33549, EXCEPT AS SHOWN

3EA 0.173±0.005 DIA HOLES ON 3.50±0.01 DIA

THESE INSTRUMENTS MEET OR EXCEED THE REQUIREMENTS OF UNITED INSTRUMENTS, INC. SPECIFICATION, UI5035-P22 OR UI5035P-P41, SUBJECT TO THE FOLLOWING AMENDMENTS:

1. INSTRUMENTS SHALL BE EQUIPPED WITH LIGHTING BEZEL AND LIGHT TRAY ASSEMBLIES, BOTH MANUFACTURED BY BISHOP AVIATION, HOT SPRINGS, ARKANSAS.

LEAD WIRE: PER SAE AS22759/16-24, BLACK AND WHITE.
 WHITE - RATED LIGHTING VOLTAGE
 BLACK - GROUND

2. EXTERNAL DIMENSIONS OF THE BEZEL LIGHTED INDICATOR SHALL BE AS SHOWN ABOVE.
3. PART AND CODE NUMBERS OF THE BEZEL LIGHTED INDICATORS ARE AS LISTED ON PAGE 2.
4. RATED LIGHTING VOLTAGE SHALL BE MARKED ON TOP OF THE LIGHT TRAY ASS'Y.

ADDENDUM SHEETS TO: UI5035-P22
 UI5035P-P41

							PREP. BY	<i>J. Inomata</i>	2-6-86
C	5/1/06	CHNGD LEAD WIRE & P/N	<i>[Signature]</i>				APPR. BY	<i>T. Kawawa</i>	2-8-86
B	7/10/03	ADDED NOTES 2 & 3 (P.2)	<i>[Signature]</i>	A	2-7-86	SPEC RE-ISSUED	CHECKER		
REV.	DATE		CHK.	REV.	DATE		CHK.	NAME	DATE

UNITED INSTRUMENTS, INC.

 3625 Comotara Avenue
 Wichita, Kansas 67226

TITLE:
 INDICATOR - ALTIMETER, ENCODER
 BEZEL LIGHTED

SPEC. NO: UI5035BL
 (REF. UI5035-P22,
 UI5035P-P41)
 ISSUE
 C
 PAGE 1 OF 2 PAGES

PART NUMBER	BEZEL LIGHTING INDICATOR CODE NUMBER					NON-LIGHTING INDICATOR CODE NO.
	LESS L/TRAY	5 VDC	12 VDC	14 VDC	28 VDC	
5035P-P22	P.76	P.77	P.78	P.79	P.80	P.22
5035P-P23	P.81	P.82	P.83	P.84	P.85	P.23
5035P-P24	P.86	P.87	P.88	P.89	P.90	P.24
5035P2-P25	P.91	P.92	P.93	P.94	P.95	P.25
5035P2-P26	P.96	P.97	P.98	P.99	P.100	P.26
5035P2-P27	P.101	P.102	P.103	P.104	P.105	P.27
5035P-P28	P.106	P.107	P.108	P.109	P.110	P.28
5035P2-P30	P.111	P.112	P.113	P.114	P.115	P.30
5035P3-P33	P.116	P.117	P.118	P.119	P.120	P.33
5035P3-P34	P.121	P.122	P.123	P.124	P.125	P.34
5035P4-P37	P.126	P.127	P.128	P.129	P.130	P.37
5035P4-P38	P.131	P.132	P.133	P.134	P.135	P.38
5035P-P41	P.136	P.137	P.138	P.75	P.139	P.41
5035P2-P42	P.140	P.141	P.142	P.74	P.143	P.42
5035P2-P39	P.144	P.145	P.146	P.147	P.148	P.39
5035P-P50	P.149	P.150	P.151	P.152	P.153	P.50

NOTES:

1. The lighted indicators are the same as unlighted indicators specified by United Instruments' specifications; UI5934, UI5934D, and UI5950, except the lighting bezel and applicable light tray are installed instead of the non-lighting bezel.
2. The basic bezel lighted indicator is equipped with a plastic wedge with uncoated cover glass. The lighting bezel and light tray part numbers are BA3-001-003A and BA(VOLTAGE)-24T-BW3 of Bishop Aviation, respectively. C
3. The lighted indicator with an HEA glass wedge is identified with a Letter 'H' suffixed to the code number of the basic lighted indicators listed in the above table. The lighting bezel and light tray part numbers are BA3-001-003G-901 and BA(VOLTAGE)-24T-BW3G of Bishop Aviation, respectively. C

CUSTOMER
ACCEPTANCE
SPECIFICATION
UNITED INSTRUMENTS, INC.

TITLE:
INDICATOR-ALTIMETER, ENCODER
BEZEL LIGHTED

SPEC. NO: UI5035BL
(REF UI5035-P22,
UI5035P-P41)

ISSUE

C

PAGE 2 OF 2 PAGES